



AC-DC 24W

6A-242WSXX

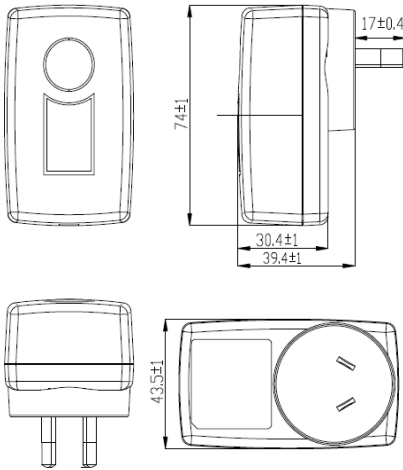
Level VI CoC Tier 2

WALL-MOUNT
(Fixed type)

Features:

- IEC/EN/UL/CUL 62368
- Universal AC Input 90~264Vac
- Regulated Output With Low Ripple Noise
- 100% burn in test
- 1 year warranty
- CEC,DoE Level VI,ErP Stage 2,CoC Tier 2,GEMS
- WEEE / ROHS 2.0 / REACH 2.0
- Safety : CE,CB

Dimension:



| Model No. | O/P Voltage | O/P Current | O/P Watts |
|------------|-------------|-------------|-----------|
| 6A-242WS05 | 5V | 4.0A | 20.0W |
| 6A-242WS12 | 12V | 2.0A | 24.0W |
| 6A-242WS24 | 24V | 1.0A | 24.0W |

Specification:

| | | |
|-------------------|--|---|
| Input | Voltage | AC 90V~264V Universal Full Range |
| | Frequency | 47-63Hz |
| | Current | 800mA |
| | Leakage Current | < 0.25mA |
| Others Protection | Start up time | < 3000mS @115VAC Full Load |
| | Rise time | <100mS |
| | Hold up time | >15mS @ 230Vac/50Hz input |
| | Protection | OCP/OVP/SCP |
| | Cooling | Natural Convection Cooling |
| Environment | Temperature | Operating: 0~40°C;Storage: -10~+70°C |
| | Humidity | Operating: 20%~85%;Storage: 10%~95%(Non Condensing) |
| M.T.B.F | 50K Hours MIL-HDBK-217F @115VAC/ 230VAC Full Load Ambient : 25°C | |
| Safety Regulation | UL 62368-1, CSA C22.2 No.62368-1, IEC62368-1, EN62368-1 | |
| EMC | EMI | FCC CFR 47 PART 15B, EN55032, EN61000-3 |
| | EMS | EN55024(EN61204-3), EN61000-4 |
| Energy Efficiency | Average active efficiency | 20W > 85.47% Min @ 230Vac / 50Hz input ; 24W > 86.20% Min @ 230Vac / 50Hz input |
| | Efficiency at low load (10 %) | 20W > 75.47% Min @ 230Vac / 50Hz input ; 24W > 76.20% Min @ 230Vac / 50Hz input |
| | No-load power consumption | > 0.1W Min @ 230Vac / 50Hz input |

英格爾科技股份有限公司
ENG ELECTRIC CO.,LTD.

台灣桃園市龜山區民生北路1段536號5樓
5F., No. 536, Sec. 1, Minsheng N. Rd.,
Gueishan Dist., Taoyuan City 333016,
Taiwan (R.O.C.)



TEL:886-3-212-1122 FAX:886-3-212-1570 E-mail:eng@eng.com.tw http://www.eng.com.tw

